

Zaxis135UST

A P P L I C A T I O N

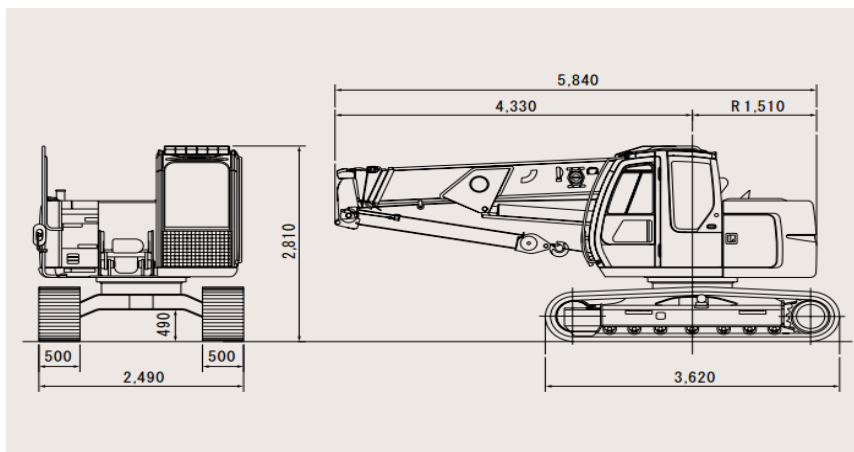


Model Code:
ZX135UST
Engine Rated Power:
63 kW
Operating weight:
14 700 kg
Max. Lifting capacity:
4900 kg
Rated total load x Working radius:
4.9 tons x 3.1 m

Gross Rated Capacity (4 reeving)

Unit: kg

Working radius (m)	Boom length (m)							
	4.4		7.3		10.2		13	15.9
	static lift	travelling lift	static lift	travelling lift	static lift	travelling lift	static lift	static lift
2.50	4,900	2,000	4,900	2,000				
3.10	4,900	2,000	4,900	2,000	3,000	1,500		
3.50	4,400	2,000	4,440	2,000	3,000	1,500	3,000	
3.85	4,000	2,000	4,000	2,000	3,000	1,500	3,000	
4.00	3,820	1,910	3,820	1,910	3,000	1,500	3,000	2,600
4.20	3,580	1,790	3,580	1,790	3,000	1,500	3,000	2,600
4.50			3,220	1,610	3,000	1,500	3,000	2,600
5.00			2,730	1,365	2,700	1,350	2,600	2,600
5.15			5.31mx2,500	5.31mx1,250	5.33mx2,500	5.33mx1,250	2,500	2,500
5.50			2,380	1,190	2,400	1,200	2,270	2,270
6.00			2,070	1,035	2,110	1,055	2,000	2,000
6.50			1,810	905	1,860	930	1,820	1,800
7.10			1,580	790	1,630	815	1,670	1,620
7.50					1,500	750	1,560	1,520
8.00					1,350	675	1,430	1,400
8.50					1,220	610	1,300	1,300
9.00					1,110	555	1,200	1,200
10.00					920	460	1,000	1,000
11.00							850	890
12.00							730	770
12.80								680
13.00								670
14.00								580
15.00								500
15.70								450



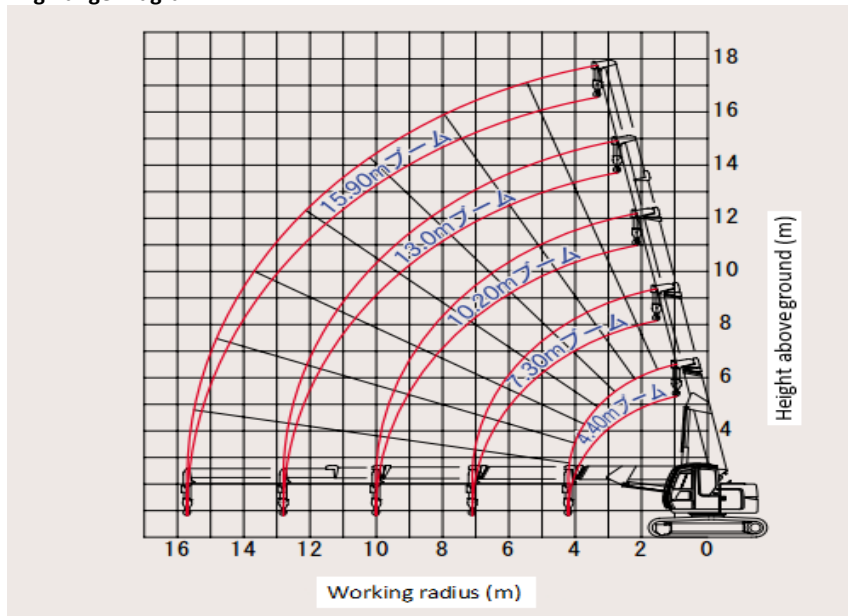
Notes: 1 The rated loads are determined according to EN 13000 rating on the condition that the machine is stationed on firm, level ground.

2) The load to be actually lifted is the listed total load minus sling fittings such as hook (hook 4,9 ton; weight 55kg)

Specifications

	ZX135UST Grouser shoe
Operating Weight kg	14700
Max. lifting load X working radius	4.9 x 3.1
Max. hook lift above ground level m	36.0
Boom length m	4.36 - 15.92
Boom hoist angle degree	-3° ~ 78°
Boom hoisting speed s	13.0 (-3° ~ 78°)
Boom extending speed m/s	11.5 / 24.0
Hoisting rope speed m/min	High 100 / Low 64
Hoisting rope mm/m	10 x 160
Swing speed (rpm) min	2.5 (2.5)
Travel speed km/h	3.0
Engine	
Model	Isuzu CC-4BG1TC
Rated Output	63/1,950 (85/1950)

Working Range Diagram



Note: The working ranges shown are determined with the machine under no-load condition, excluding jib deflection. In crane operation with lifted load, job angle range is restricted to 0° to 80°

These specifications are subject to change without notice.
 Illustrations and photos show the standard models, and may or may not include optional equipment, accessories, and all standard equipment with some differences in color and features.
 Before use, read and understand the Operator's Manual for proper operation.

